

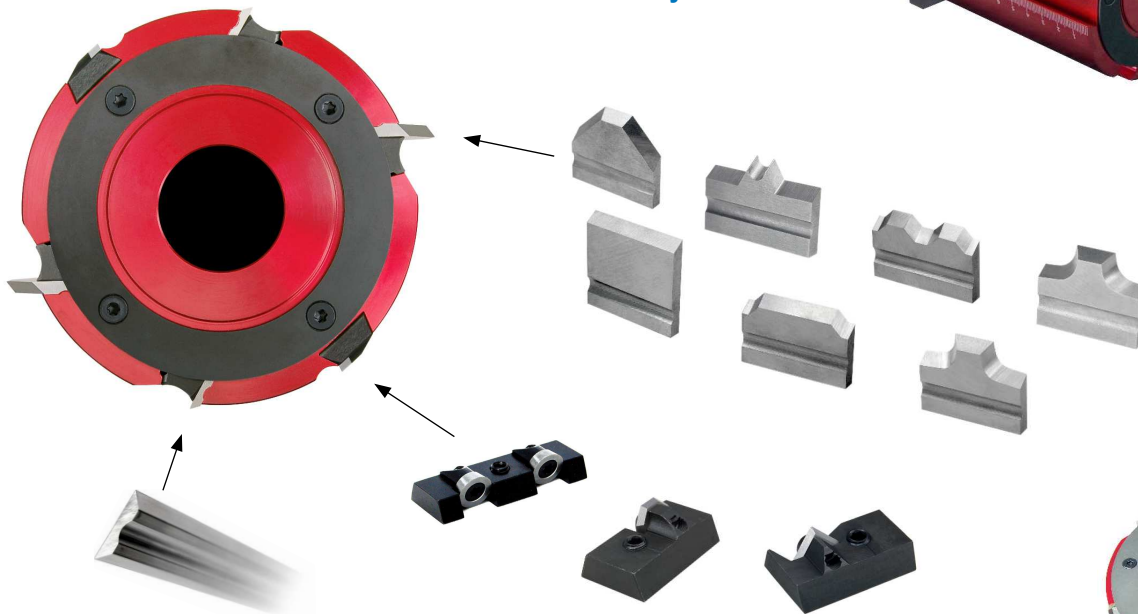
Quick-Lock Insert Surfacing & Profile Moulder Heads

Surface & Profile with the same head.

- Series 3 Heads (2 + 2 + 2)
- 6 Pockets / 3 Pocket Types
- Quick Knife Setup
- No Resharpener Needed
- Long Tool Life Carbide
- Affordable Replacement Knives
- Extraordinary Surface Finish
- Light Weight Aluminum Alloy



In Stock for Immediate Delivery



Call for Hydro Lock Bore Options



The ultimate system for efficiency and versatility. Our Quick-Lock heads offer a total of 6-knife pockets; two surfacing knives, two pockets for profile knives, and two additional pockets that accept profile knife holders and low cost inserts for profiles.

Head prices include set of T1-HSS Planer Knives.



Quick-Lock Series 3 Surface & Profiling Heads					
Cutting Length	Cutting Diameter	Bore Size	Part #	Price	
100mm	125mm	1.50"	QL125-100-9300-1.5	\$386.00	
150mm	125mm	1.50"	QL125-150-9300-1.5	\$548.00	
180mm	125mm	1.50"	QL125-180-9300-1.5	\$598.00	
230mm	125mm	1.50"	QL125-230-9300-1.5	\$765.00	
240mm	125mm	1.50"	QL125-240-9300-1.5	\$798.00	
100mm	125mm	40mm	QL125-100-9300-40	\$386.00	
150mm	125mm	40mm	QL125-150-9300-40	\$548.00	
180mm	125mm	40mm	QL125-180-9300-40	\$598.00	
230mm	125mm	40mm	QL125-230-9300-40	\$765.00	
240mm	125mm	40mm	QL125-240-9300-40	\$798.00	
100mm	140mm	1-13/16"	QL140-100-9300-1.813	\$410.00	
150mm	140mm	1-13/16"	QL140-150-9300-1.813	\$570.00	
180mm	140mm	1-13/16"	QL140-180-9300-1.813	\$660.00	
230mm	140mm	1-13/16"	QL140-230-9300-1.813	\$832.00	
240mm	140mm	1-13/16"	QL140-240-9300-1.813	\$860.00	
310mm	140mm	1-13/16"	QL140-310-9300-1.813	\$1100.00	

Call for custom sizes and different knife pocket configurations.