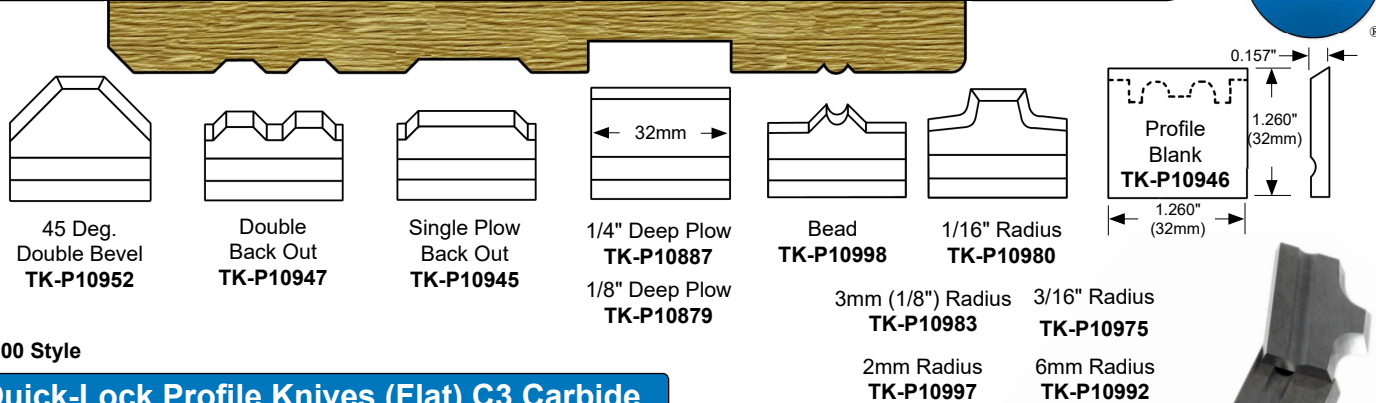




Quick-Lock Insert Profile & Planer Knives



9100 Style

Quick-Lock Profile Knives (Flat) C3 Carbide

Part #	Description	Price
TK-P10945	Single Plow Back Out (1" Wide x 3/32" Deep)	\$27.95
TK-P10947	Double Back Out (1-1/16" Wide x 3/32" Deep)	\$27.95
TK-P10952	45 Degree Double Bevel	\$27.95
TK-P10879	1/8" Deep Plow (1-1/4" Deep)	\$27.95
TK-P10887	1/4" Deep Plow (1-1/4" Deep)	\$27.95
TK-P10998	Bead (3/8" Wide Overall x 3/16" Wide Bead)	\$27.95
TK-P10980	1/16" Radius	\$27.95
TK-P10975	3/16" Radius	\$27.95
TK-P10997	2mm Radius (0.0787")	\$27.95
TK-P10983	3mm Radius (1/8")	\$27.95
TK-P10992	6mm Radius (0.236")	\$27.95
TK-P10946	Profile Blank 1/2" Max Depth (1-1/4" x 1-1/4")	\$27.95
TK-P10946-B	HSS Profile Blank (150mm Wide x 32mm Deep)	\$27.95
TK-Profile	Profile Blank Grinding Service	\$32.00
TK-PGIB	Gib for Quick-Lock Profile Knives	\$8.00

9100 Stop Block
TK-P9100SB
\$8.75 ea.



Long Wearing C3 Carbide

9200 Style

Quick-Lock Profile Knife Inserts & Holders

Part #	Description	Price
TK-P9200DB	Double Back Out Holder - w/o Knives	\$48.00
TK-P9200DB-K	Double Back Out Knife - Carbide	\$9.00
TK-P9200DB-S	Torx Screw	\$1.00
TK-P9200VG	V Groove Holder 9mm - LEFT	\$42.00
TK-P9200VG-R	V Groove Holder 9mm - RIGHT	\$42.00
TK-P9200VG-K	V Groove Knife 9mm x 9mm x 1.5mm	\$6.00
TK-P9200VG-S	V Groove Knife Screw 9mm	\$0.80
TK-P92003L	Radius Holder - LEFT	\$42.00
TK-P92003R	Radius Holder - RIGHT	\$42.00
TK-P9200-2RK	2mm Radius Insert Knife - Carbide	\$25.00
TK-P9200-3RK	3mm Radius Insert Knife - Carbide	\$25.00
TK-P9200-4RK	4mm Radius Insert Knife - Carbide	\$25.00
TK-P9200-BV	Chamfer Insert Knife - Carbide	\$25.00

9000 Style

Quick-Lock Steel & Carbide Planer Knives

Cutting Length	Part #	Price Each (T1-HSS)	Part #	Price Each (Carbide)
50 mm	TK-50T	\$4.56	TK-50C3	\$16.64
60 mm	TK-60T	\$6.08	TK-60C3	\$19.92
80 mm	TK-80T	\$7.92	TK-80C3	\$25.92
100 mm	TK-100T	\$9.52	TK-100C3	\$32.32
120 mm	TK-120T	\$10.00	TK-120C3	\$38.80
130 mm	TK-130T	\$10.88	TK-130C3	\$41.52
150 mm	TK-150T	\$12.32	TK-150C3	\$47.84
180 mm	TK-180T	\$14.96	TK-180C3	\$57.44
200 mm	TK-200T	\$17.00	TK-200C3	\$63.58
230 mm	TK-230T	\$18.88	TK-230C3	\$73.12
240 mm	TK-240T	\$19.68	TK-240C3	\$76.56
250 mm	TK-250T	\$20.50		
270 mm	TK-270T	\$22.14	TK-270C3	\$86.13
300 mm	TK-300T	\$24.60	TK-300C3	\$95.70
310 mm	TK-310T	\$25.43	TK-310C3	\$98.89
420 mm	TK-420T1	\$34.48		
460 mm	TK-460T1	\$37.76	TK-460C3	\$146.00
464 mm	TK-464T1	\$37.90		
520 mm	TK-520T1	\$39.50		
540 mm			TK-540C3	\$165.00
616 mm	TK-616T	\$50.51		
635 mm	TK-635T	\$52.13		
700 mm	TK-700T	\$57.40		

Double Back Out Holder
TK-P9200DB
(Knives Sold Separately)

Double Back Out Knives
TK-P9200DB-K
(Cuts 1/8" Deep x 3/8" Wide)

Left V Groove Holder (Shown)
TK-P9200VG

Right V Groove Holder
TK-P9200VG-R

V Groove Knife
TK-P9200VG-K
(Cuts 3mm Deep)

Right Radius Holder (Shown)
TK-P92003R

Left Radius Holder
TK-P92003L

Chamfer Insert
TK-P9200-BV

2mm Radius Insert
TK-P9200-2RK

3mm Radius Insert
TK-P9200-3RK

4mm Radius Insert
TK-P9200-4RK
(3mm Overall Depth of Cut)