



Hydro-Lock Sleeves: B Style

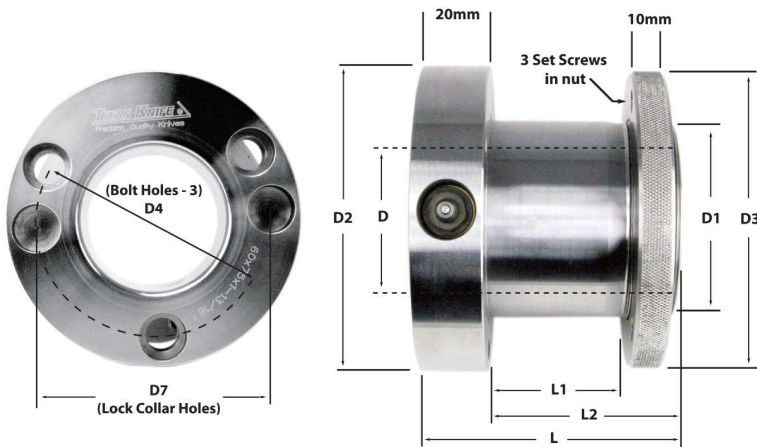


Hydro-Sleeves for Cutterhead Centering and Saw Sleeves

High precision, lower cost solution for centering insert cutterheads, spiral heads, and saw blades on production moulders, tenoners, and rip saws. CNC machined from high strength alloy steel for long wear life. Titan sleeves are dimensional matches to the popular ETP™ brand, and use a welded sleeve design. Custom size sleeves offered - call for prices. Custom size sleeves can be made to meet your special requirements. Volume discounts are offered on 5+ pcs, mix & match sizes. Many other types of Hydro Sleeves offered. Please contact us to receive a dedicated hydro sleeve catalog.

Titan Hydraulic-Lock Welded Sleeves Style B:

Part #	D Bore Dia.	D1 Shank Dia.	D2 / D3 Flange & Nut Dia.	D4 / D7 Bolt Circle Nut Dia.	H Bolt CB Depth	L Overall Length	L1 Usable Capacity	L2 Shank Length	Price
B:1-1/2"/50-85T	1.50"	50	83	64	9	85	50	65	\$270.00
B:1-1/2"/50-135T	1.50"	50	83	64	9	135	100	115	\$312.86
B:1-1/2"/50-185T	1.50"	50	83	64	9	185	150	165	\$370.00
B:1-13/16"/60-75T	1.813"	60	93 / 90	74	8.5	75	40	55	\$278.57
B:1-13/16"/60-115T	1.813"	60	93 / 90	74	8.5	115	80	95	\$310.00
B:1-13/16"/60-140T	1.813"	60	93 / 90	74	8.5	140	105	120	\$327.14
B:1-13/16"/60-190T	1.813"	60	93 / 90	74	8.5	190	155	170	\$391.43
B:1-13/16"/65-85T	1.813"	65	98	80	9	85	50	65	\$312.86
B:1-13/16"/65-135T	1.813"	65	98	80	9	135	100	115	\$350.00
B:1-13/16"/65-185T	1.813"	65	98	80	9	185	150	165	\$441.43
B:1-13/16"/65-235T	1.813"	65	98	80	9	235	200	215	\$512.86
B:2-1/8"/65-85T	2.125"	65	98	80	9	85	50	65	\$312.86
B:2-1/8"/65-135T	2.125"	65	98	80	9	135	100	115	\$350.00
B:2-1/8"/65-185T	2.125"	65	98	80	9	185	150	165	\$441.43
B:2-1/8"/65-235T	2.125"	65	98	80	9	235	200	215	\$512.86



Steel spacers for the hydro-sleeves to allow indexing rip saws apart or to fill excess sleeve capacity. Spacer nuts have 3 bolt holes with 3/8" NC threads. Index spacers are drilled for (3) 10.5mm holes.

Saw Index Fillers / Spacers

Thickness	Bore x Ø	Part #	Price
1/16"	50mm x 83mm	Spacer-D-50/83-1/16"	\$12.50
	60mm x 93mm	Spacer-D-60/93-1/16"	
	65mm x 98mm	Spacer-D-65/98-1/16"	
1/8"	50mm x 83mm	Spacer-D-50/83-1/8"	\$15.00
	60mm x 93mm	Spacer-D-60/93-1/8"	
	65mm x 98mm	Spacer-D-65/98-1/8"	
1/4"	50mm x 83mm	Spacer-D-50/83-1/4"	\$17.50
	60mm x 93mm	Spacer-D-60/93-1/4"	
	65mm x 98mm	Spacer-D-65/98-1/4"	
1/2"	50mm x 83mm	Spacer-D-50/83-1/2"	\$20.00
	60mm x 93mm	Spacer-D-60/93-1/2"	
	65mm x 98mm	Spacer-D-65/98-1/2"	
1"	50mm x 83mm	Spacer-D-50/83-1"	\$25.00
	60mm x 93mm	Spacer-D-60/93-1"	
	65mm x 98mm	Spacer-D-65/98-1"	
1/4" Spacer Nut	50mm x 83mm	Spacer-D-50/83-Nut	\$20.00
	60mm x 93mm	Spacer-D-60/93-Nut	
	65mm x 98mm	Spacer-D-65/98-Nut	

Safety Lock Collars

Lock Collar Bore Dia.	Part #	Price
1-1/2"	LC150	\$75.00
1-13/16"	LC1813	\$75.00
2-1/8"	LC2125	\$75.00
40mm	LC40M	\$75.00
50mm	LC50M	\$75.00

