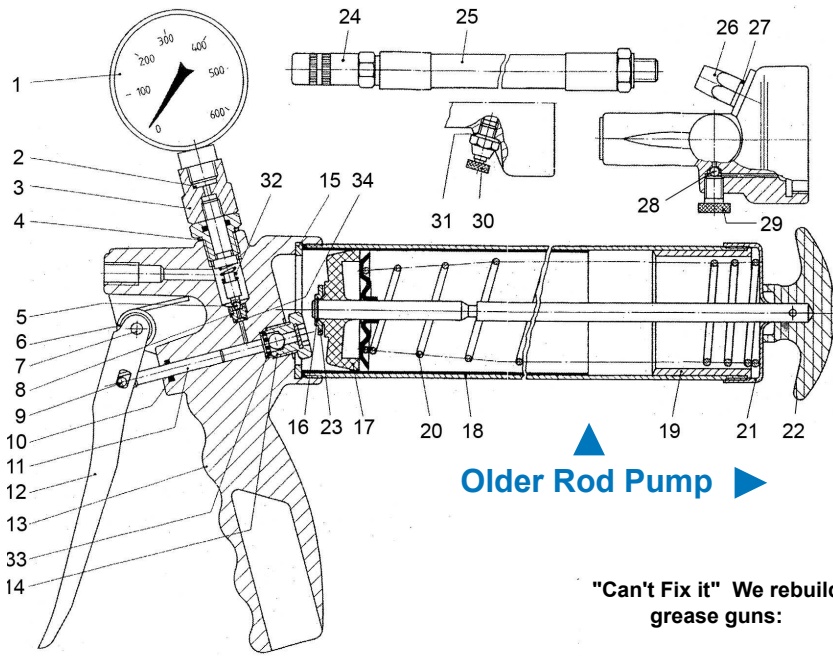




Wanner High Pressure Grease Gun - Older Model Parts

Parts for older Wanner pumps:

If you purchased your grease pump from Weing, Wadkin, or Global, we offer spare parts. There are several versions of the *Abnox / Wanner* grease guns. Below are parts to more common chain & rod barrel type grease guns. Call for assistance in trouble shooting, or for parts not shown.



Older Rod Pump

"Can't Fix it" We rebuild grease guns:

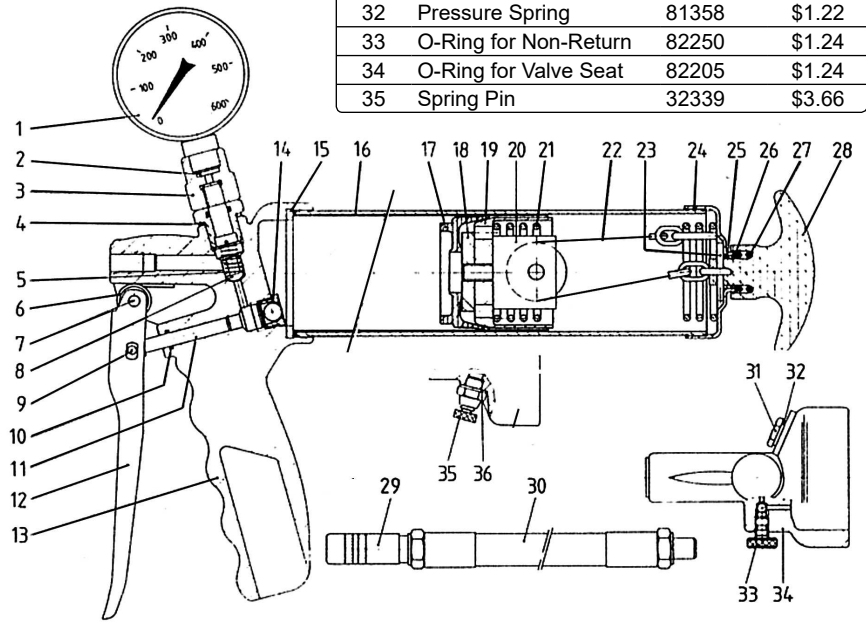
If you still are not able to fix your grease gun, send it to us for repair. Call for details on this service work. We are an Authorized Official Factory Service Center.

Older Pump Parts Kit
Part # 33794
Price \$32.75
 Includes 82495, 80657, 30643, 32308, 81384, 30508, 83576

Spare Parts for Older Chain Pump

Pos. #	Description	Part #	Price
1	Gage 600 Bar	N 83746	\$74.12
2	Washer	K 80128	\$2.74
3	Rotary Coupling	32325	\$24.53
4	Washer	K 80365	\$2.32
5	Pressure Spring	K 81384	\$2.13
6	Torsion Spring	K 81699	\$2.20
7	Spiral Pin	N 84684	\$0.98
8	Valve Plug	K 30643	\$1.22
9	Spiral Pin	N 84630	\$1.10
10	X-Ring Seal	N 82495	\$2.50
11	Piston	H 32340	\$16.46
12	Lever	H 30647.01	\$8.25
13	Valve Head	H 30614	N/A
14	Non-Return Valve	B 30508	\$5.82
15	Barrel Seal	K 80657	\$3.05
16	Cylinder	H 38004	\$24.09
17	Piston Seal (Red)	K 83576	\$6.04
18	Joint Pad	K 80162	\$7.32
19	Guide	H 32329	\$34.15
20	Support	B 39075	\$8.54
21	Pressure Spring	K 81763	\$23.78
22	Chain .6m	N 83901	\$7.62
23	Spiral Pin	N 84681	\$1.22
24	End Cover	B 30657	\$9.76
25	Lining	H 39096	\$1.22
26	Flat Washer	N 82741	\$2.74
27	Pressure Spring	K 81656	\$3.56
28	Handle	H 39095	\$7.32
29	Hyd. Connector	36590	\$10.35
30	Hose - 20" Long	35144	\$51.22
31	Cover Plug	H 30642	\$2.20
32	Washer	K 80266	\$1.47
33	Press. Rel. Screw	H 32308	\$5.37
34	Steel Ball	N 82010	\$0.85
35	Air Release Valve	35590	\$6.10
36	Washer - Joint Seal	K 80198	\$2.32

Older Chain Pump



Spare Parts for Older Rod Pump (M-06)

Pos. #	Description	Part #	Price
1	Gage 600 Bar	83746	\$74.12
2	Washer	80128	\$2.74
3	Rotary Coupling	32325	\$24.53
4	Washer	80365	\$2.32
5	Steel Ball	82010	\$0.85
6	Torsion Spring	81699	\$2.20
7	Spiral Pin	84684	\$0.98
8	Valve Seat	43448	\$9.45
9	Prim Pin	84630	\$1.10
10	X-Ring Seal	82495	\$2.50
11	Piston	32340	\$16.46
12	Lever	30647.01	\$8.25
13	Valve Head	30614.01	N/A
14	Aspiration Valve	33716	\$14.63
15	Barrel Seal	80657	\$3.05
16	Supporting Disc	38080	\$1.07
17	Low Pres. Piston	38075	\$14.39
18	Cylinder	38004	\$24.09
19	Insert	38089	\$2.44
20	Pressure Spring	81771	\$11.59
21	Cover	38013	\$6.71
22	Piston Rod	38078	\$16.71
23	Security Disc	84808	\$0.73
24	Hydraulic Connector	36590	\$10.35
25	Hose 20"- 1,000 Bar	35144	\$51.22
26	Filler Cap	35690	\$4.94
27	Seal	80266	\$1.47
28	Pressure Release Screw	32308.01	\$5.37
29	Steel Ball	82010	\$0.85
30	Air Release Valve	35595.01	\$7.93
31	Cu-Joint	80198	\$2.32
32	Pressure Spring	81358	\$1.22
33	O-Ring for Non-Return	82250	\$1.24
34	O-Ring for Valve Seat	82205	\$1.24
35	Spring Pin	32339	\$3.66