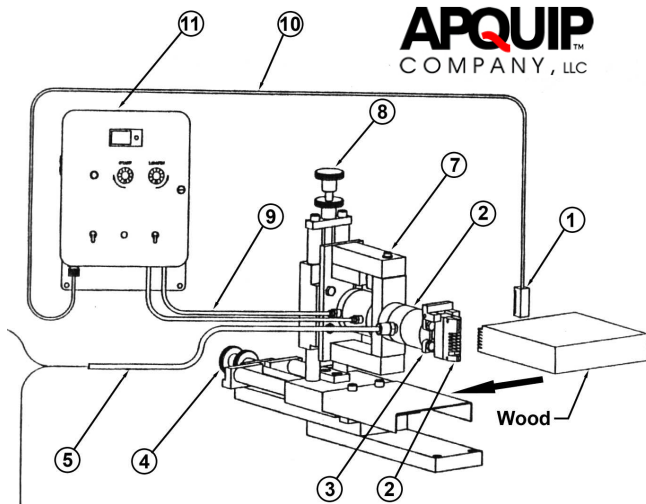


# Finger Joint & Edge Glue Application Equipment



Apquip Co., Finger joint glue system for precise glue application.

## Need Precision Glue Application?

An older glue wheel system can cost you thousands of dollars to operate a year. We offer the Apquip glue application equipment for finger joint, edge, and face gluing applications. These systems are designed reliable and offer the precision control needed. New systems pay for themselves by reducing glue clean-up time and by saving up to 30% in glue consumption over roller wheels. Through efficient glue application these systems reduce wasted squeeze out and can reduce several glue joint problems common to older technology. Systems will work with most adhesives either with sealed pressure tanks or pumped from your tote. Call for details and prices on a systems.

## Glue Heads

We provide the best choice in quick change glue nozzles for consistent glue application. Apquip glue heads are made from the finest stainless steel and designed for your specific joint profile and adhesive. Adjustable heads that allow the same head to glue from 4/4 to 8/4 are also available.

Standard Glue heads = \$Call Adjustable and high capacity heads are offered at an additional cost.



## Finger Joint Cutter Combs / Head Cleaner

We offer the *Beachport* head cleaners to eliminate finger joint head plugging. These head combs are designed to eliminate wood chips and wood dust from in between the knives and thus eliminate knife plugging and wood joint rip-out. Our head cleaner design uses a precision fixture that secures a brass profiled comb 100 deg. before the cut. Standard comb stands and mounts are offered for Industrial, Western, and other finger joint systems. All head cleaners are designed to pivot safely out of the dust hood if a block is sucked in. Brass combs are made to fit your thickest knife setup - up to 8/4.



Rip-out is caused when wood packs in-between the knives. Head combs may be required. It is common with longer joints in Cedar, Hemlock, Spruce, and Redwood. Combs are made to clean in-between each knife to prevent them from spreading a part.



Finger Joint Cutter Combs / Head Cleaner	
Description	Price
Industrial Woodworking 3470 & 3870 System	Call
Industrial Woodworking FJS25 System	Call
Western Pneumatic Machines	Call
Double Sided Spare Combs	Call